

Cashless Systems

WorldKey Lite

Cashless without borders, expressly designed for the vending industry

The new WorldKey Lite system uses the MIFARE® (standard, Plus, DesFire, NFC) technology platform to ensure high safety standards and management of multiple applications. Security in transferring data is ensured by the combination of the proprietary encryption MIFARE® and RFTech TDES (Triple Data Encryption Standard).

WorldKey Lite allows you to manage several sales or identification applications (access to different services also of different operators), storing them all on a single RFID support (card/key/tag). The applications can be used within a single infrastructure or extended to different businesses, either visibly or hidden.

WorldKey Lite allows all types of supports (card, keys or any other form of RFID tag/transponder) to be used for payment.

The type of products/services the customer can access can also be specified for each card/key/tag.



R&D by  RFTech

Features

- System comprising one CPU unit and a reading device connected by a "smart" coaxial cable (patent pending).
- The reading device is available in 3 versions:
 - Moon:** only with insertion key/tag. It is supplied with two different front panels: round, the most commonly used and oval, ideal for retrofitting.
 - Sky:** Insertion card plus key/tag.
 - Galaxy:** with card in tap & go mode plus key/tag.
- CPU equipped with mini USB port for firmware upgrading, system configuration, audit/log data collection and connection to the PC or for piloting an external device.
- Reading devices equipped with: semaphore signals according to the EVA-CVS standard with 3 status LEDs (red, yellow, green), buzzer for confirmation of operations and infrared interface to collect audit/log data and program the readers.
- Supported vending protocols: Executive master/slave, MDB master/slave and BDV master/slave.
- Automatic baptism of cards/keys/tags upon first insertion into the CPU.

Functions

- Different price management modes.
- Sales prices (80x3 cashless prices + 80 cash prices).
- Single or multiple cash sales modes.
- Direct coin validator management.
- Management of 3 security codes (operator, rental, machine).
- User modifiable machine No.
- Management of the maximum value to be charged on the key.
- Differentiated key management.
- Black list/white list/log file management.
- Time slots management.
- Bonus management.
- Accounting data management.
- On-site firmware updating.

VersionS

- EXE/EXE also in BDV
- EXE/MDB also in BDV
- MDB/MDB
- MDB/SLAVE

Tools

UNICO configuration program

Software package combining all software used in collecting and managing audit/log data (pursuant to the EVA-DTS standard or Windows Excel), programming operating parameters and managing all functions of the cards/keys/tags (user data, prices, black/white list, bonus, points, discounts, free sales, subsidies, usage time slots, access time, etc.).



Software for card management (code RFT-CARD-SW)

Software for audit and log management (code RFT-AUDIT-SW)

Universal hand-held programming device

To program WorldKey on-site or download the audit data via infrared connection.



Programming key



Audit key



Clone programming key



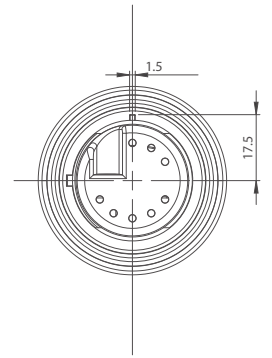
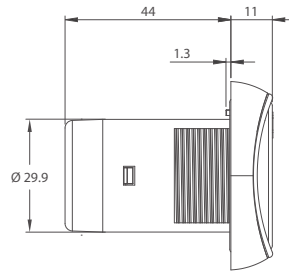
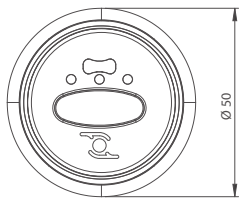
Optional accessories

- Universal hand-held programming device
- RFID keys customisable in the label by quantity
- RFID cards customisable in the graphics by quantity
- RFID tags customisable in the graphics and shape by quantity
- Stickers customisable in the graphics by quantity
- Credit Box for transferring credits from one transponder to another
- UNICO configuration program
- LCD display
- Countertop recharge box

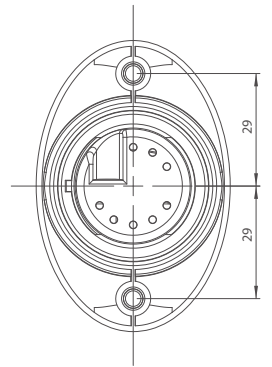
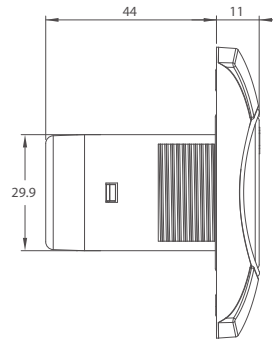
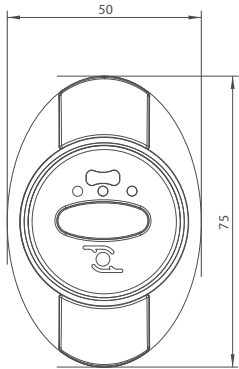




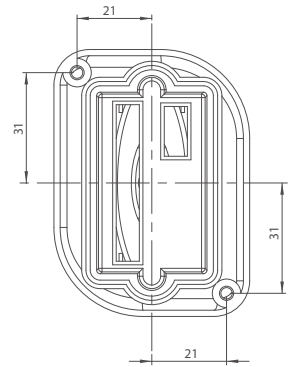
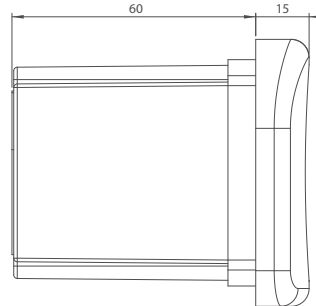
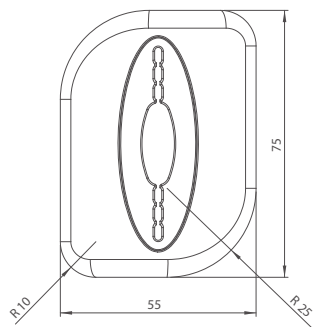
Moon
Reading device for keys and tags
Round front plate



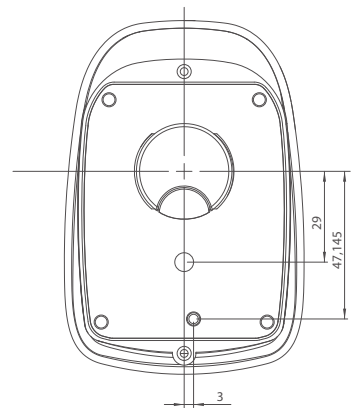
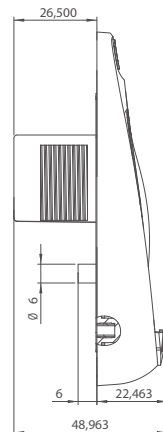
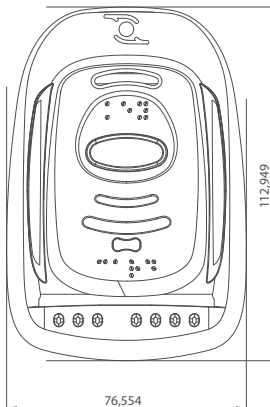
Moon
Reading device for keys and tags
Oval front plate

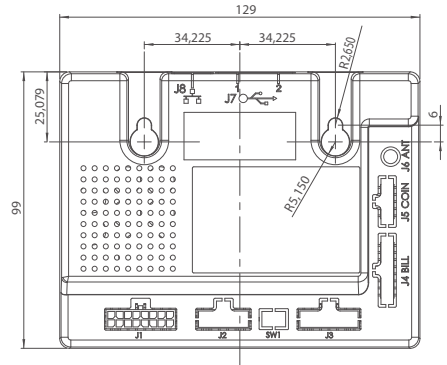
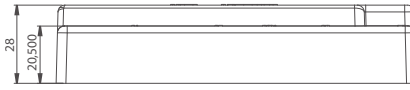


Sky
Reading device for keys, tags
and insertion cards



Galaxy
Universal reading device
for keys, tags and tap & go cards





Note: Unit of measure: mm

Payment supports



Keys customisable in the label by quantity



Cards customisable in the graphics by quantity



Wide range of Tags available in different shapes and colours

Technical Specifications - CPU

| | |
|--------------------------|----------------------------------|
| Dimensions (LxHxW) | 129 x 99 x 28 mm |
| Weight | 170 g |
| Power supply | 17-39 Vdc - 14-26 Vac (50-60 Hz) |
| Power consumption | 3.25W without peripherals |
| Operating temperature | -20 °C ÷ 50 °C |
| Humidity (non-condensed) | 90% |
| Storage temperature | -20 °C ÷ 70 °C |



Stickers customisable in the graphics by quantity

Technical Specifications - reading devices

| | Moon (Round front plate) | Moon (Oval front plate) | Sky | Galaxy |
|--------------------------|-----------------------------|----------------------------|-----------------|------------------|
| Dimensions (LxHxW) | 50 x 50 x 55 mm | 50 x 75 x 55 mm | 55 x 75 x 75 mm | 77 x 113 x 50 mm |
| Weight | 45 g | 45 g | 60 g | 90 g |
| Operating temperature | -20 °C ÷ 50 °C | -20 °C ÷ 50 °C | -20 °C ÷ 50 °C | -20 °C ÷ 50 °C |
| Humidity (non-condensed) | 90% | 90% | 90% | 90% |
| Storage temperature | -20 °C ÷ 70 °C | -20 °C ÷ 70 °C | -20 °C ÷ 70 °C | -20 °C ÷ 70 °C |

Technical Specifications - keys/cards/tags

| | |
|------------------------|--|
| Technology used | ISO 14443 – MIFARE® encrypted data and energy induction transmission |
| Transmission frequency | 13.56 MHz |